

### SIZING OF VIGIL'EX VENT PANELS ON SILOS

The elements necessary for the sizing of the vent panels are as follows :

**Working temperature :**  °C  
**Vent panel static pressure :**  (mbar) (Maximum : 100 mbar +/- 15%)  
**Working vacuum**  (mbar)

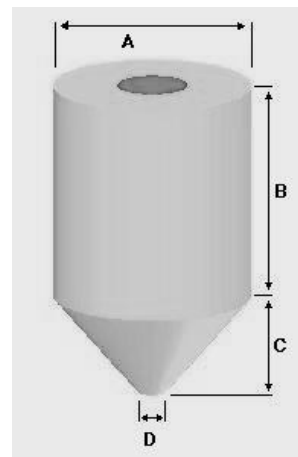
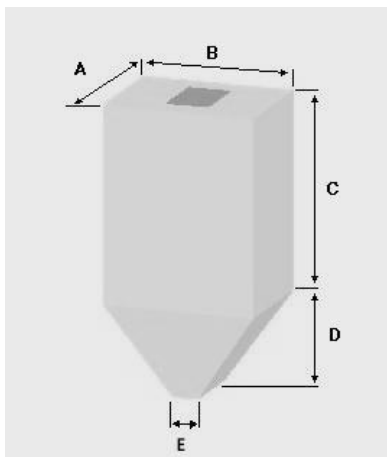
Language of user's country: \_\_\_\_\_

**Quotation N°:** OD                      **Customer :** \_\_\_\_\_                      **Order ref. :** \_\_\_\_\_

**PRODUCT :** type :

**Max explosion pressure**                      **Pmax**  (bar)                      **Max explosion index**                      **Kst**  (bar.m/s)

**SILO :**



**SQUARE / RECTANGULAR SECTION:**

**Depth A**  (m)  
**Width B**  (m)  
**Height of the body C**  (m)  
**Height of the hopper D**  (m)  
**Outlet section E**  x  (m)

**ROUND SECTION:**

**Diameter A**  (m)  
**Height of the body B**  (m)  
**Height of the hopper C**  (m)  
**Outlet section D** Ø  (m)

**GENERAL PARAMETERS:**

**Pressure strength Pred max**  (bar)                      **Length of the pipe (if necessary)**  (m)

We can carry out a dimensioning with incomplete data, while estimating, in a reasonable way, the missing parameters, however the result will engage the customer who will have accepted these estimates.

### SIZING OF VIGIL'EX VENT PANELS ON FILTERS

The elements necessary for the sizing of the vent panels are as follows :

Working Temperature:  °C  
 Static pressure :  (mbar) (Maximum : 100 mbar +/- 15%)  
 Working vacuum  (mbar)  
 Language of user's country: \_\_\_\_\_

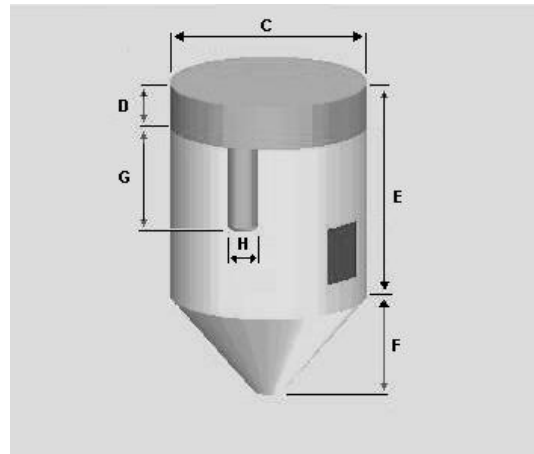
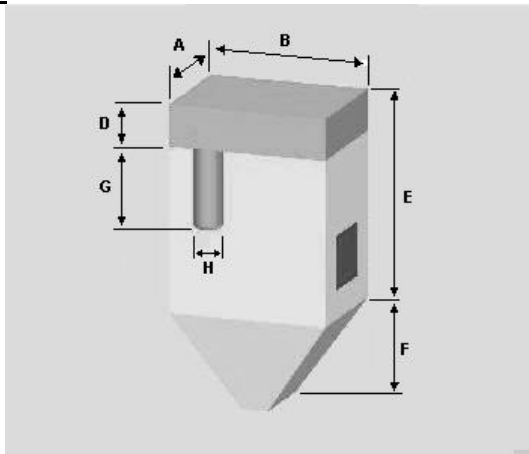
**Quotation N° : OD**                      **Customer :**                      **Order ref. :**

**Product :** type :

**Max explosion pressure Pmax**  (bar)

**Max explosion index Kst**  (bar.m/s)

**FILTER :**



**SQUARE/RECTANGULAR SECTION :**

**ROUND SECTION :**

**Width A**  (m)

**Diameter C**  (m)

**Depth B**  (m)

**GENERAL PARAMETERS:**

**Height of clean air D**  (m)

**Height of the bags G**  (m)

**Total height E**  (m)

**Diameter of the bags H**  (m)

**Height of the hopper F**  (m)

**No of bags**  (p)

**Outlet section**  x  (m)

**Length of the pipe (if necessary)**  (m)

**Pressure strength (Pred max)**  (bar)

**We can carry out a dimensioning with incomplete data, while estimating, in a reasonable way, the missing parameters, however the result will engage the customer who will have accepted these estimates.**